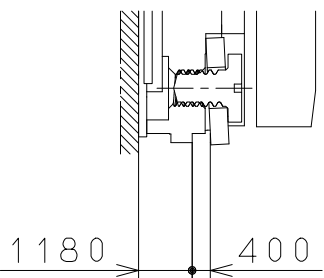
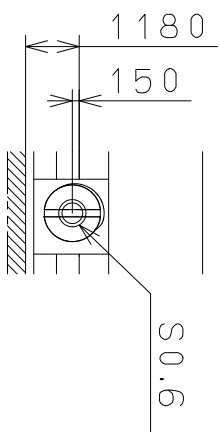


Section CS1, CS2



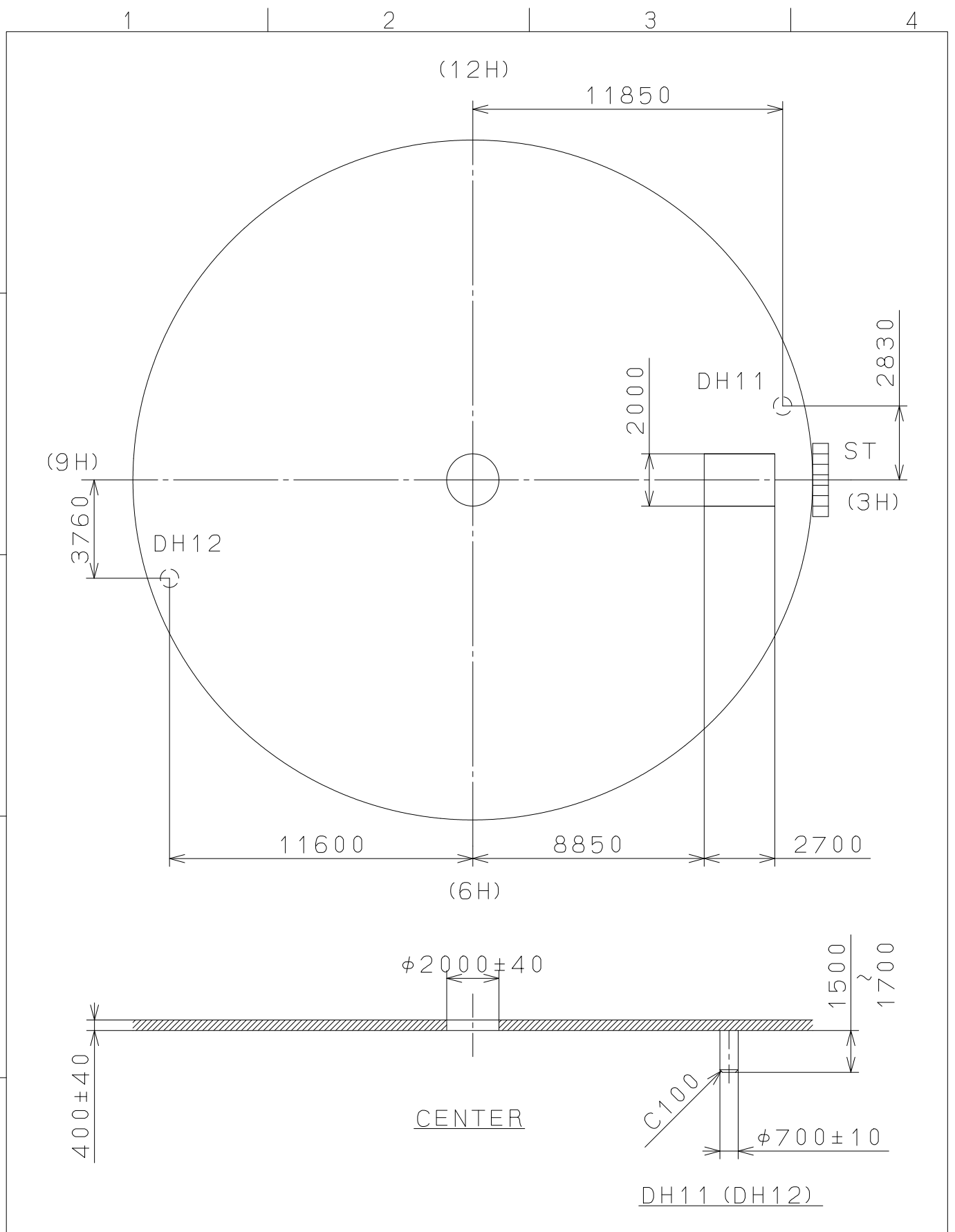
Section DS1, DS2



Material	Alterations	Date	Description	Appr.	Checked	Drawn	N. Suzuki	Name:	Frame for Case
Heat Treatment									
Hardness									
Plating									
Quantity	Unit	Scale	Date	Checked	Drawn	Cal. NO.: 9015			
1	1/1000 mm	6:1				Parts No.:			
General Tolerances			Drawing No.: 9015C002						
Dimensions			CITIZEN WATCH CO., LTD. TOKYO, JAPAN						
Angles			MIYOTA						

2009/03/25 (09:00:17)

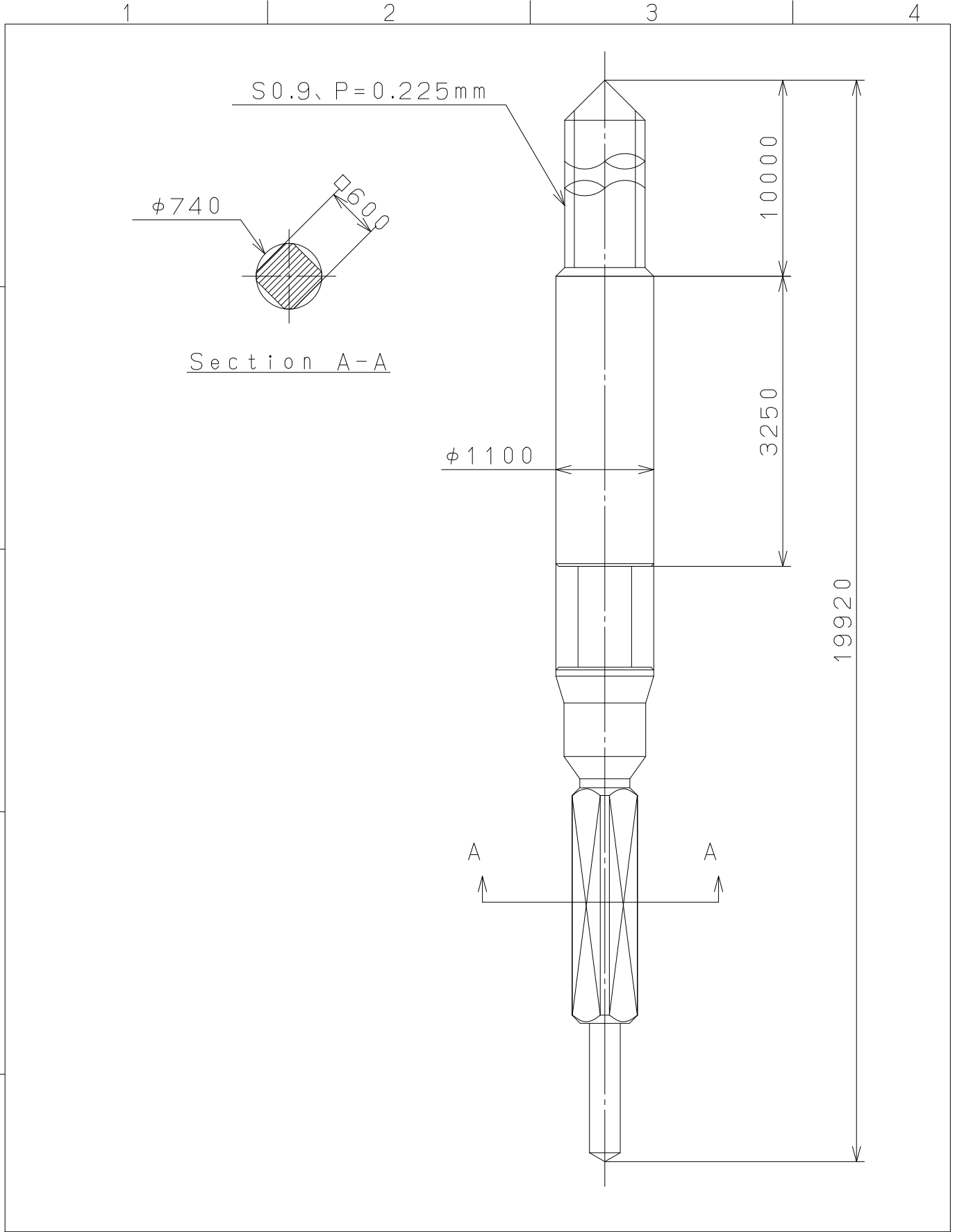
This drawing is provisional and subject to our reconfirmation and/or revision without notice.



△			Quantity		Cal.NO.:
△			Unit	1/1000 _{mm}	9015-24A
△			Scale	5 : 1	Parts No.:
△			Date		
△			Drawn		
Mark	Date	Description	Appr.	Checked	Name:
		Alterations	Approved	N. Suzuki	Indications for Dial
Material					Drawing No.: 9015D001
Heat Treatment			General Tolerances		
Hardness			Dimensions		
Plating			Angles		
				CITIZEN WATCH CO., LTD. TOKYO, JAPAN	

2009/03/19 (15:03:29)

This drawing is provisional and subject to our reconfirmation and/or revision without notice.



△5			Quantity		Cal.NO.:
△4			Unit	1/1000mm	
△3			Scale	17:1	Parts No.:
△2			Date		065-A05
△1			Drawn		
Mark	Date	Description	Appr.	Checked	Name:
		Alterations		Approved	SETTING STEM
Material					Drawing No.: A050S000
Heat Treatment			General Tolerances		MIYOTA
Hardness			Dimensions		
Plating			Angles		
					CITIZEN WATCH CO., LTD. TOKYO, JAPAN